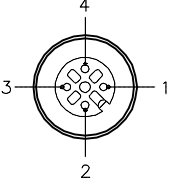

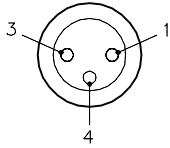

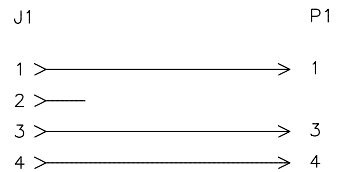
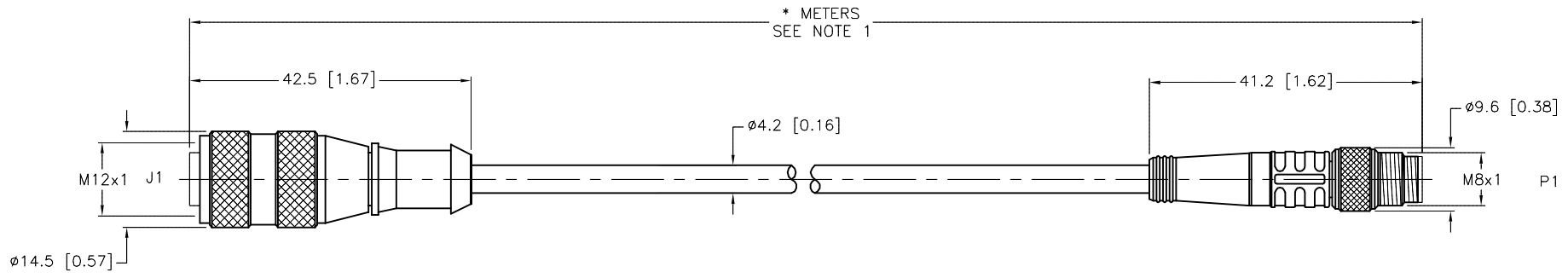


FEMALE END VIEW	MALE END VIEW	WIRING DIAGRAM	SPECIFICATIONS																						
 <p>1 = BROWN 2 = N/C 3 = BLUE 4 = BLACK</p> 	 <p>1 = BROWN 3 = BLUE 4 = BLACK</p> 		<table border="1"> <tr><td>CONTACT CARRIER MATERIAL</td><td>TPU OR NYLON</td></tr> <tr><td>MOLDED HEAD MATERIAL/COLOR</td><td>TPU/YELLOW</td></tr> <tr><td>CONTACT MATERIAL/PLATING</td><td>BRASS/GOLD</td></tr> <tr><td>COUPLING NUT MATERIAL/PLATING</td><td>BRASS/NICKEL</td></tr> <tr><td>RATED CURRENT [A]</td><td>4.0 A</td></tr> <tr><td>RATED VOLTAGE [V]</td><td>125 VAC/DC</td></tr> <tr><td>OUTER CABLE JACKET MATERIAL/COLOR</td><td>TPU/BLACK</td></tr> <tr><td>CONDUCTOR INSULATION MATERIAL</td><td>PVC</td></tr> <tr><td>NUMBER OF CONDUCTORS [AWG]</td><td>3x24 AWG</td></tr> <tr><td>TEMPERATURE RANGE</td><td>-40°C to +90°C (-40°F to +194°F)</td></tr> <tr><td>PROTECTION CLASS</td><td>MEETS NEMA 1,3,4,6P AND IEC IP67</td></tr> </table>	CONTACT CARRIER MATERIAL	TPU OR NYLON	MOLDED HEAD MATERIAL/COLOR	TPU/YELLOW	CONTACT MATERIAL/PLATING	BRASS/GOLD	COUPLING NUT MATERIAL/PLATING	BRASS/NICKEL	RATED CURRENT [A]	4.0 A	RATED VOLTAGE [V]	125 VAC/DC	OUTER CABLE JACKET MATERIAL/COLOR	TPU/BLACK	CONDUCTOR INSULATION MATERIAL	PVC	NUMBER OF CONDUCTORS [AWG]	3x24 AWG	TEMPERATURE RANGE	-40°C to +90°C (-40°F to +194°F)	PROTECTION CLASS	MEETS NEMA 1,3,4,6P AND IEC IP67
CONTACT CARRIER MATERIAL	TPU OR NYLON																								
MOLDED HEAD MATERIAL/COLOR	TPU/YELLOW																								
CONTACT MATERIAL/PLATING	BRASS/GOLD																								
COUPLING NUT MATERIAL/PLATING	BRASS/NICKEL																								
RATED CURRENT [A]	4.0 A																								
RATED VOLTAGE [V]	125 VAC/DC																								
OUTER CABLE JACKET MATERIAL/COLOR	TPU/BLACK																								
CONDUCTOR INSULATION MATERIAL	PVC																								
NUMBER OF CONDUCTORS [AWG]	3x24 AWG																								
TEMPERATURE RANGE	-40°C to +90°C (-40°F to +194°F)																								
PROTECTION CLASS	MEETS NEMA 1,3,4,6P AND IEC IP67																								



CABLE LENGTH	TOLERANCE*
ALL LENGTHS	+ 4% (OR 50mm) OF LENGTH - 0% (OR 0mm) OF LENGTH WHICHEVER IS GREATER
STRIP LENGTH	TOLERANCE*
0-7mm	±0.5mm
8-29mm	±1.0mm
30-49mm	±2.0mm
50-69mm	±3.0mm
70-100mm	±4.0mm
OVER 100mm	±5.0mm

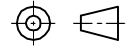
* UNLESS OTHERWISE SPECIFIED

NOTES:

1. "*" INDICATES CABLE LENGTH IN METERS. CONTACT TURCK TO ORDER SPECIFIC LENGTHS.

2. "/S90 DESIGNATES THERMOPLASTIC POLYURETHANE (TPU) CABLE.

SOURCE DRAWING - FOR REFERENCE ONLY

RELATED DOCUMENTS	3RD ANGLE PROJECTION	THIS DRAWING IS CONFIDENTIAL AND THE PROPERTY OF TURCK INC. USE OF THIS DOCUMENT WITHOUT WRITTEN PERMISSION IS PROHIBITED.		TURCK INC High Technology Sensors and Automation Controls 3000 CAMPUS DRIVE MINNEAPOLIS, MN 55441 1-800-544-7769 (763) 553-7300 (763) 553-0708 fax turck.com	
1.		DRFT	RWC	DATE	09/18/07
2.		APVD		SCALE	1=1.0
3.	ALL DIMENSIONS DISPLAYED ON THIS DRAWING ARE FOR REFERENCE ONLY	UNIT OF MEASUREMENT			DESCRIPTION
4.		MILLIMETER [INCH]			
MATERIAL	CONTACT TURCK FOR MORE INFORMATION	DO NOT SCALE THIS DRAWING			IDENTIFICATION NO.
SEE SPECIFICATIONS		FILE: 777015696			REV
FINISH					G
SEE SPECIFICATIONS					SHEET 1 OF 1

G	UPDATE PICOFAST COUPLING NUT PER ECO	KMY	05/15/13	40191
REV	DESCRIPTION	BY	DATE	ECO NO.